



PLAYOFF FORMATS

CANADIAN SHUFFLEBOARD CONGRESS PLAYOFFS

Passed at 1988 AGM

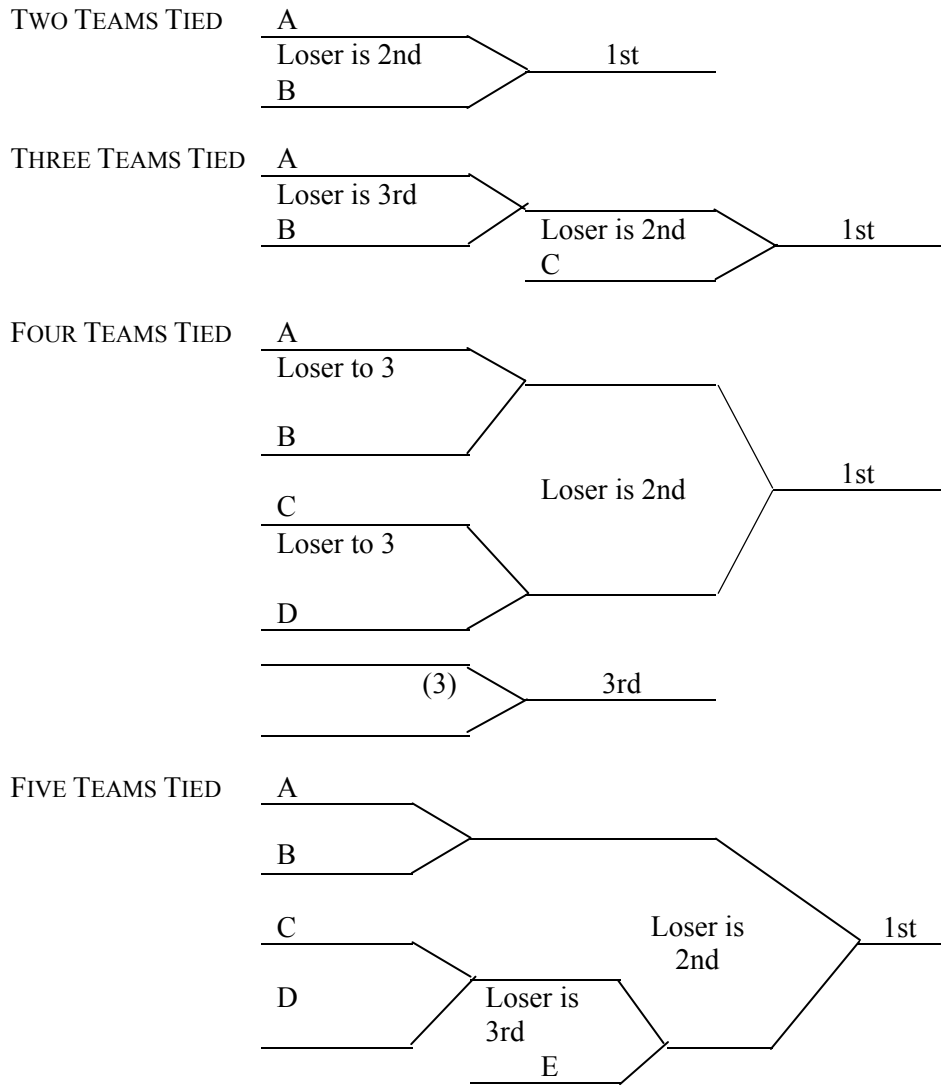
The Canadian Championship Tournament shall be a double round robin series. Zone or Charter Associations may alter this format at their discretion.

The National Championships will be played over a period of three days, with the finals of each event to be played on the fourth day. The playoff format shall be as follows:

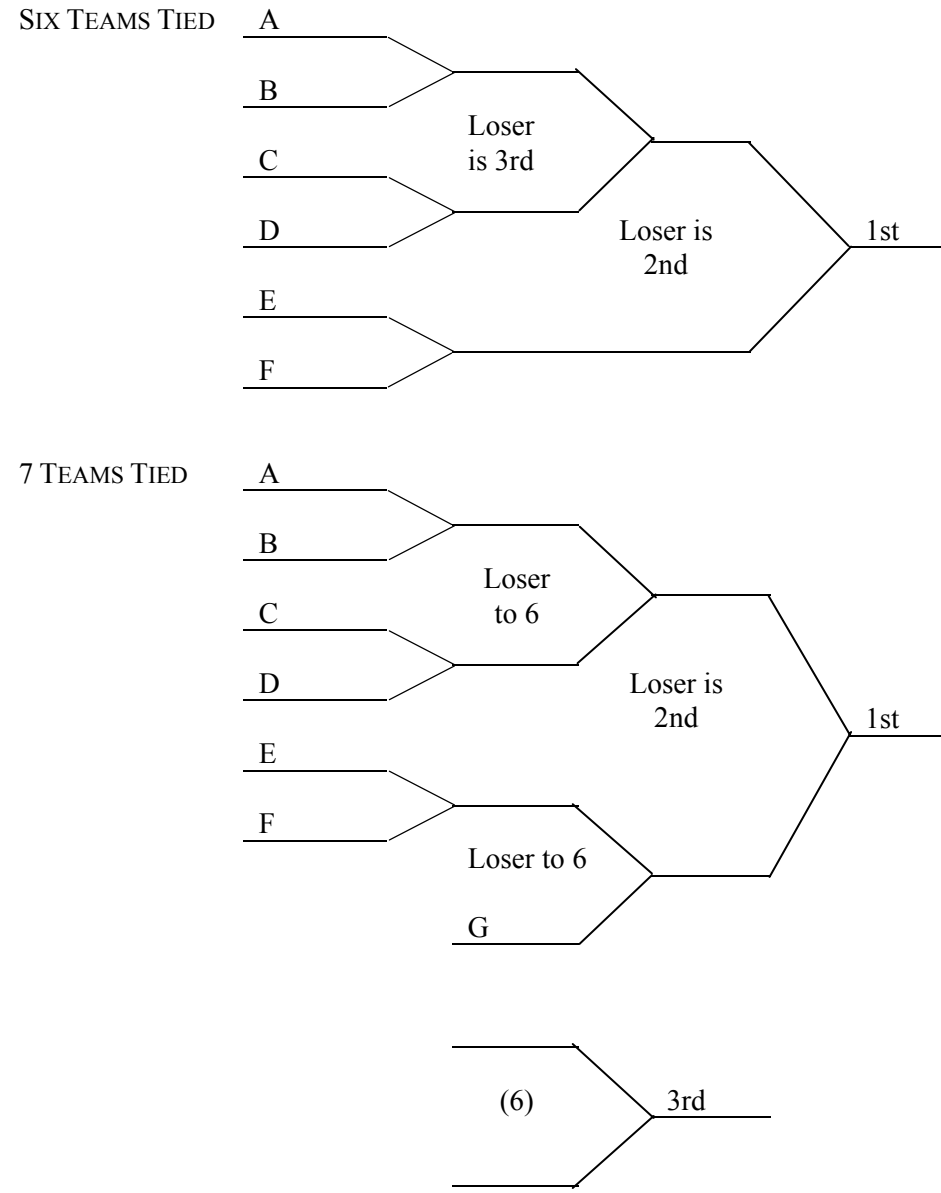
- (a) The top three teams shall advance to the playoffs.
- (b) The top team shall have a bye to the final.
- (c) The finals shall be a best-of-three series.
- (d) The second and third place teams shall play a best-of-three semi-final series on the same day of the event (if possible).
- (e) If more than three teams qualify, a sudden death single game playoff on the same day of the event will determine the team to advance to the final or semi-finals. i.e. If two or more teams are tied for first, a single elimination draw played on the same day of the event shall determine first place. Similarly, if three or more teams are tied for second, a single elimination draw shall determine the two teams who will play in the semi-finals.

Note: The Aggregate Points are determined after the double round robin is finished.

TIE BREAKERS FOR FIRST PLACE
(Single game elimination draw)

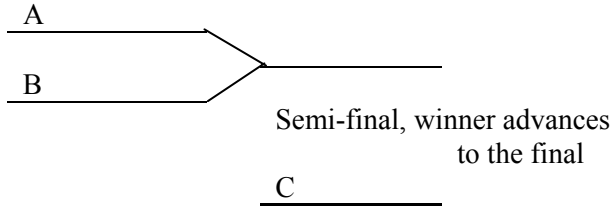


TIE BREAKERS FOR FIRST PLACE
(Single game elimination draw)

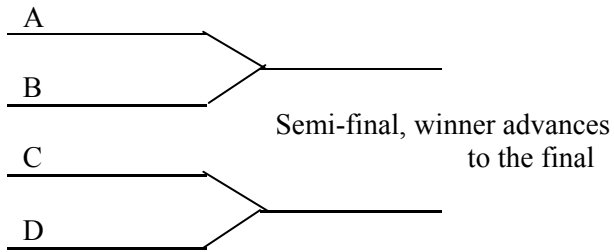


TIE BREAKERS FOR SECOND PLACE
(Single game elimination draw)

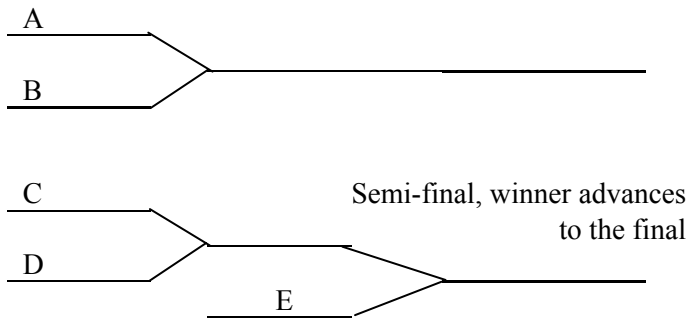
THREE TEAMS TIED



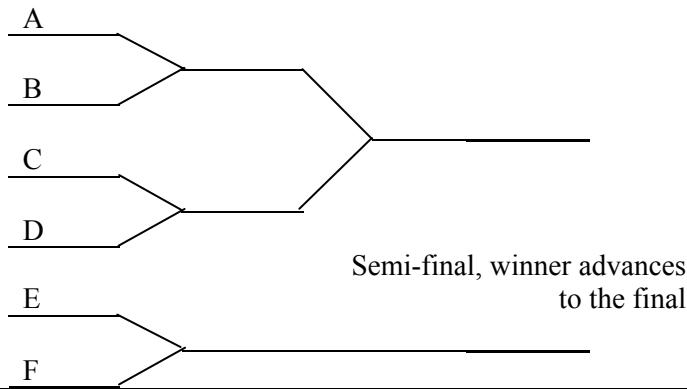
FOUR TEAMS TIED



FIVE TEAMS TIED

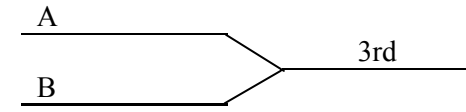


SIX TEAMS TIED

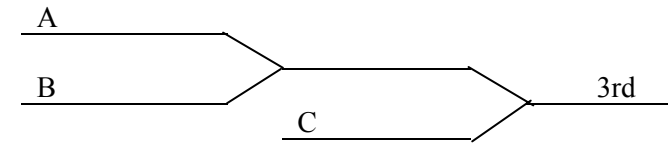


TIE BREAKERS FOR THIRD PLACE
(Single game elimination draw)

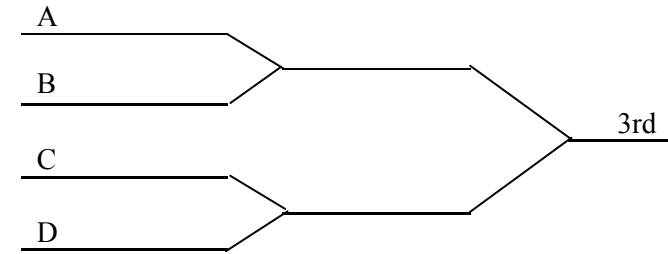
TWO TEAMS TIED



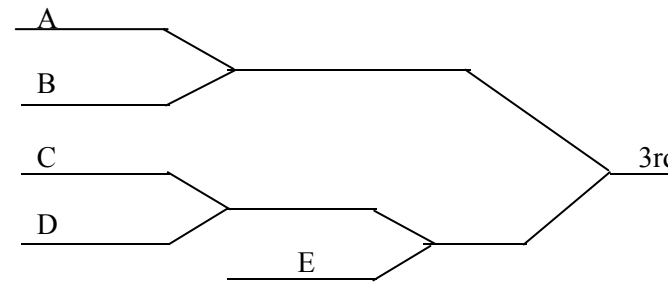
3 TEAMS TIED



FOUR TEAMS TIED



FIVE TEAMS TIED



Six Teams Tied – Same as draw for Second Place – 6 teams tied, but winner is in third.